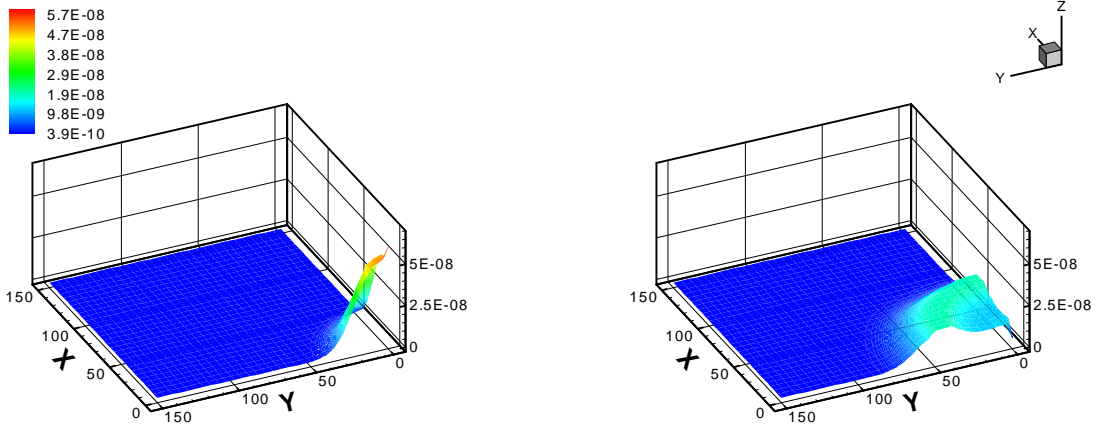


At 44 hours

At 303 hours

(a)



(b)

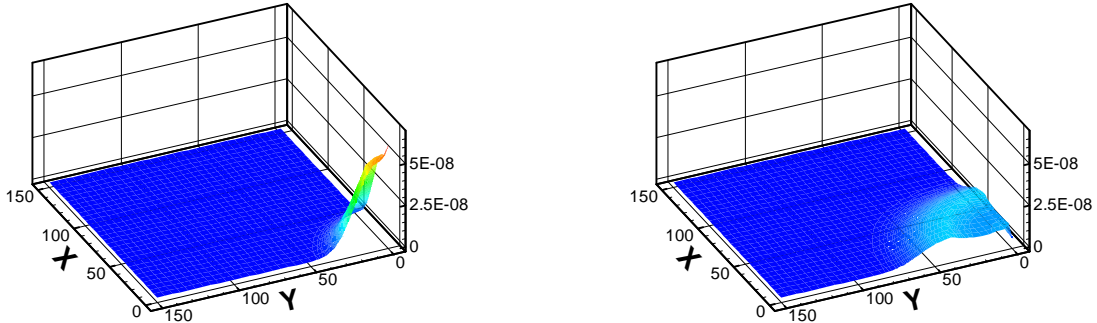


Figure 6.10. Concentration of aqueous biomass in the region after 44 and after 303 hours of pumping. (a) growth condition, (b) no growth condition. All figures are oriented so that the injection well ( $x = 0, y = 0$ ) is at the right.